

ALU Ranger oneR PRO

CNC Panel Router with Vertical Table
for Architectural Panels

4221

6321



CNC panel router with **Vertical Table**
for architectural facades panels processing

CNC panel router made for: ACM/ACP, ACM Mineral core, solid aluminium, panels with alu honeycomb and corrugated core, Fibrecement, HPL.



ALU RANGER

COMPATIBLE PANELS

ACM / ACP PE CORE MINERAL CORE

ALUCOBOND®
LARSON®
ALPOLIC®
ARCONIC®
ALUBOND®
ALBOND®
SIBALUX®
VITRABOND®
STACBOND®
ALUPANEL®
NEOBOND®
.....

SOLID ALU

VITRADUAL®
LUXE COAT®
ALUCOLUX®
FUTURAL®
.....

ALU HONEYCOMB

ALUCORE®
LARCORE®
PLASCORE®
STARCELL®
CELCOMPONENTS®
HONYLITE®
.....

ALUMINIUM CORRUGATED CORE

METAWELL®
DOLUFLEX®
.....

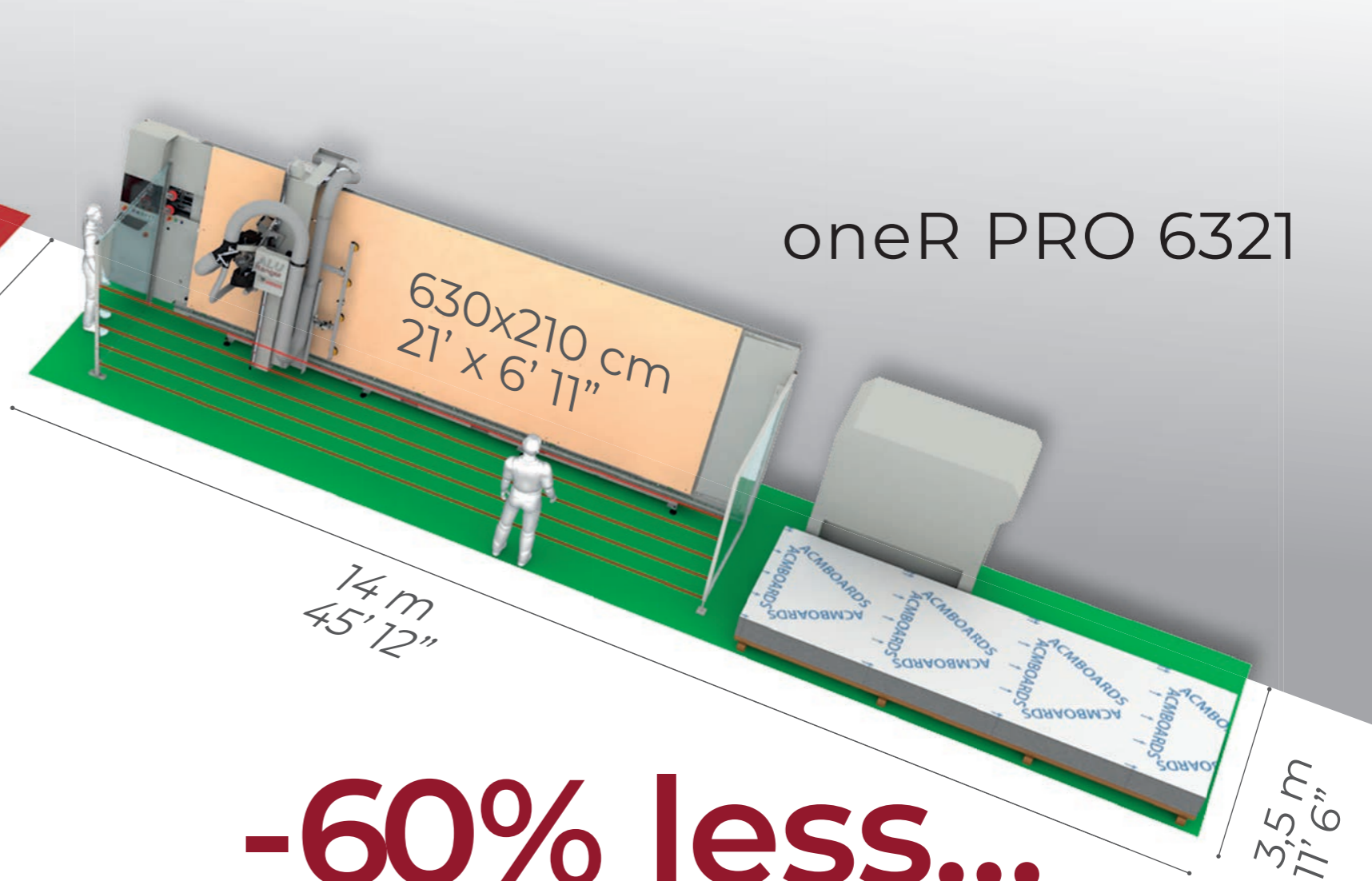
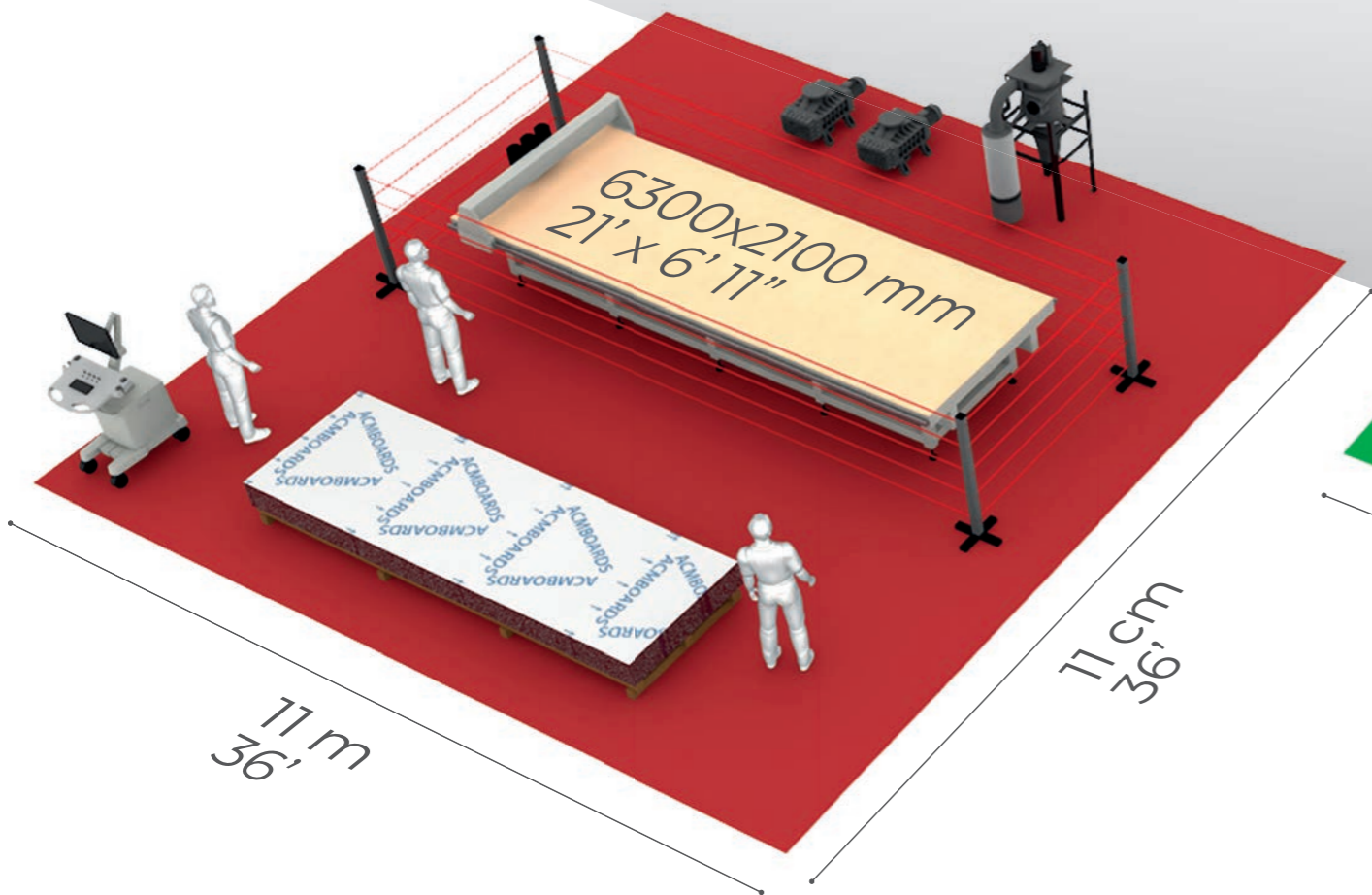
FIBER CEMENT

CEMBRIT®
EQUITONE®
COPANEL®
SWISS PEARL®
.....

HPL

TRESPA®
MAX EXTERIOR®
POLYREY®
RESOPAL®
FUNDERMAX®
.....

NO WASTED SPACE



oneR PRO 6321

-60% less...

- ...floor space required than a horizontal router system
- Designed to occupy less space
- Ergonomic access to the Vertical Table
- Safer work environment for the operator
- Eliminate table prep, debris not held falls to the floor

CNC PANEL ROUTER WITH HORIZONTAL TABLE

LAYOUT **121** sq mt - (1305 sq ft)

WORKING TABLE **14** sq mt - (151 sq ft)

CNC PANEL ROUTER WITH VERTICAL TABLE

LAYOUT **49** sq mt - (527 sq ft)

WORKING TABLE **14** sq mt - (151 sq ft)



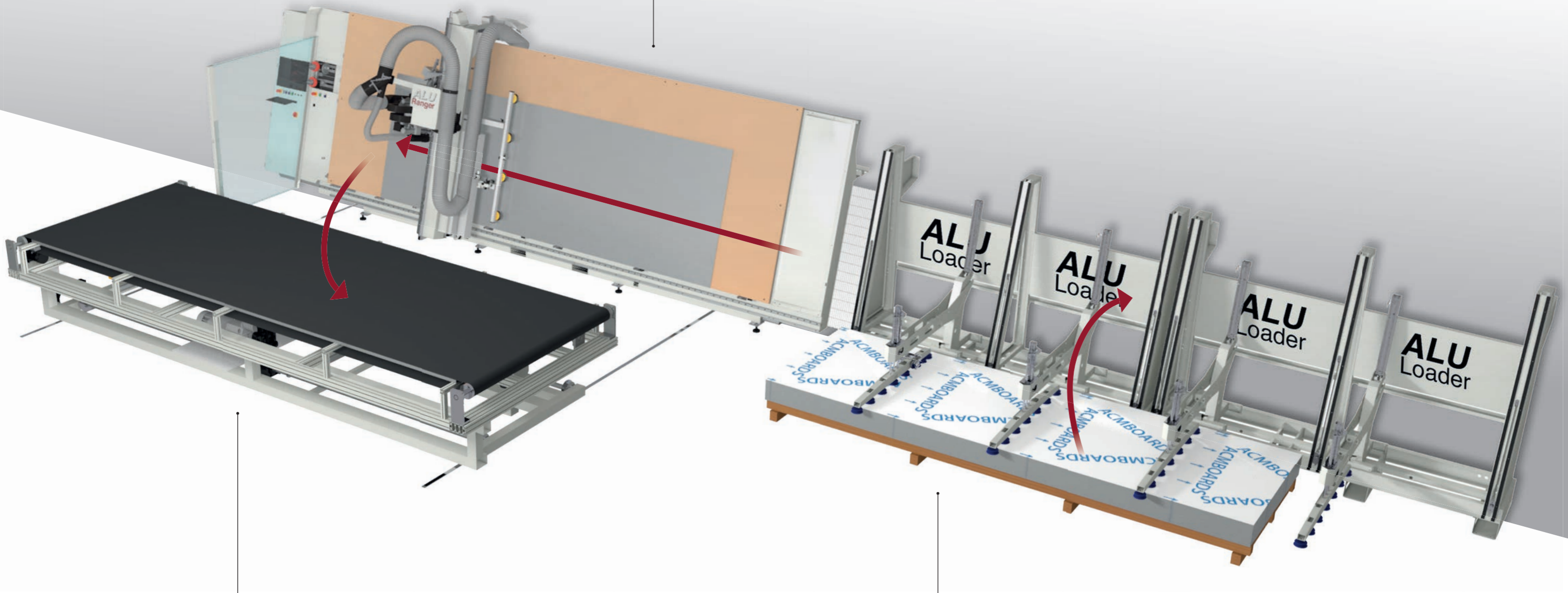
LOAD AND OFFLOAD

ALU Ranger

CNC Panel Router with Vertical Table
for architectural facades panels fabrication.

Integrated automation

- Automatic loading and positioning without operators
- Increased productivity
- Zero risk of panels falling with patented holding device
- Ergonomically designed for easy panel off-loading



OFF Loader

Automatic Off Loader
for processed panels by a tiltable vacuum holding table. Patented.

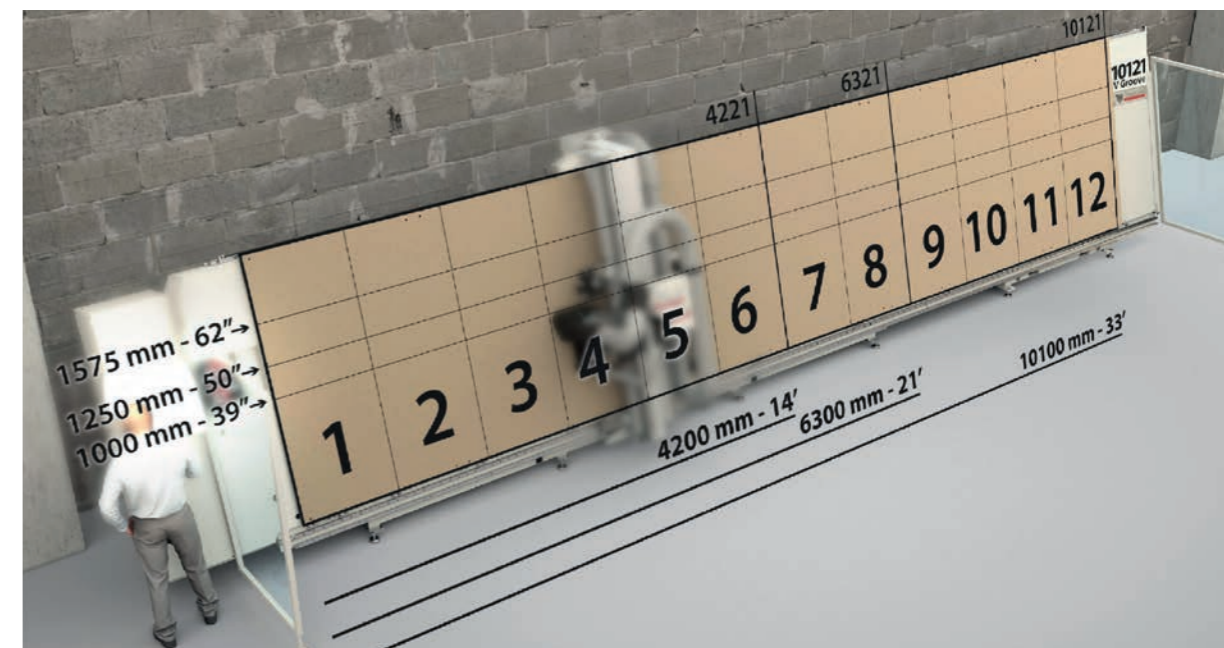
ALU Loader

Loading - Positioning
device for architectural panels with holding arms with suction cups connected to the vacuum system of ALU Ranger. Patented.



STRONG HOLD

- Vacuum zones designed for standard ACM panels
- Easy Release for processed panels (patent pending)
- No risk of panels falling during off-loading
- Vacuum pumps integrated inside the machine frame: less space required and reduced noise
- Possibility of resuming work on panels that have not been unloaded without losing the references



Vacuum panel holding with MDF sacrificial board.

- **Rapid selection of 24, 32** (respectively 4221, 6321) combinations of vacuum zones according to the ACM panel size (1.000–1.250–1.575 mm) (39"–50"–62")
- **Rapid selection of 24, 32** (respectively 4221, 6321) combinations of vacuum zones according to the ACM panel size (1.000–1.250–1.575 mm) (39"–50"–62")

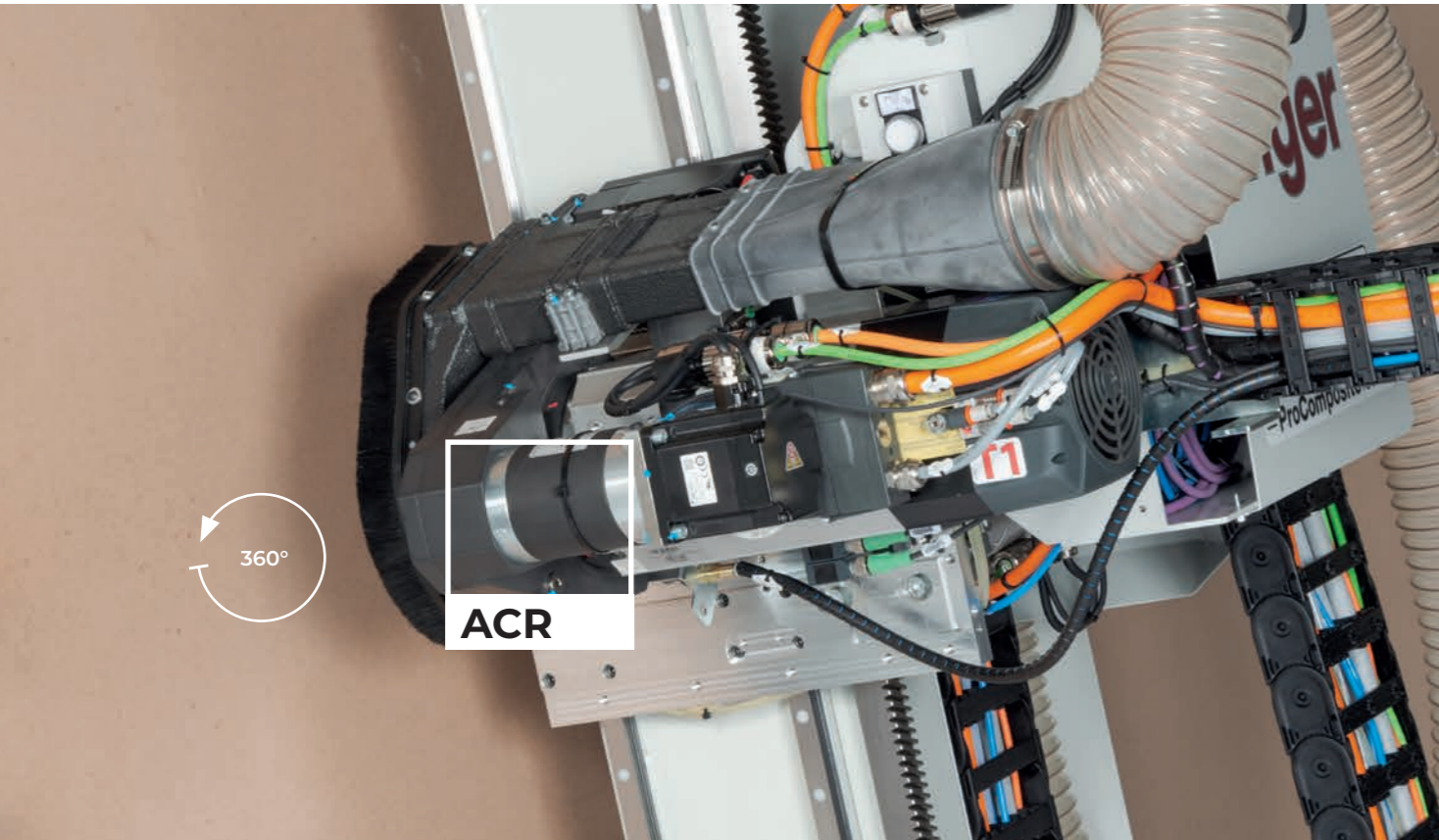


Dry vacuum pumps (Made in Germany)

- **4221 oneR PRO** 1x250m³/h pump Std
- **6321 oneR PRO** 2x250m³/h pumps Std



ONER PRO



R8A

ELECTROSPINDLE FOR FLUTE TOOLS AND AGGREGATES

- High-efficiency electrospindle
- High-resistance ceramic bearings
- Power 8 kW - up to 24000 RPM - Electroventilated
- Numerical controlled integrated swarf collection hood (patented)

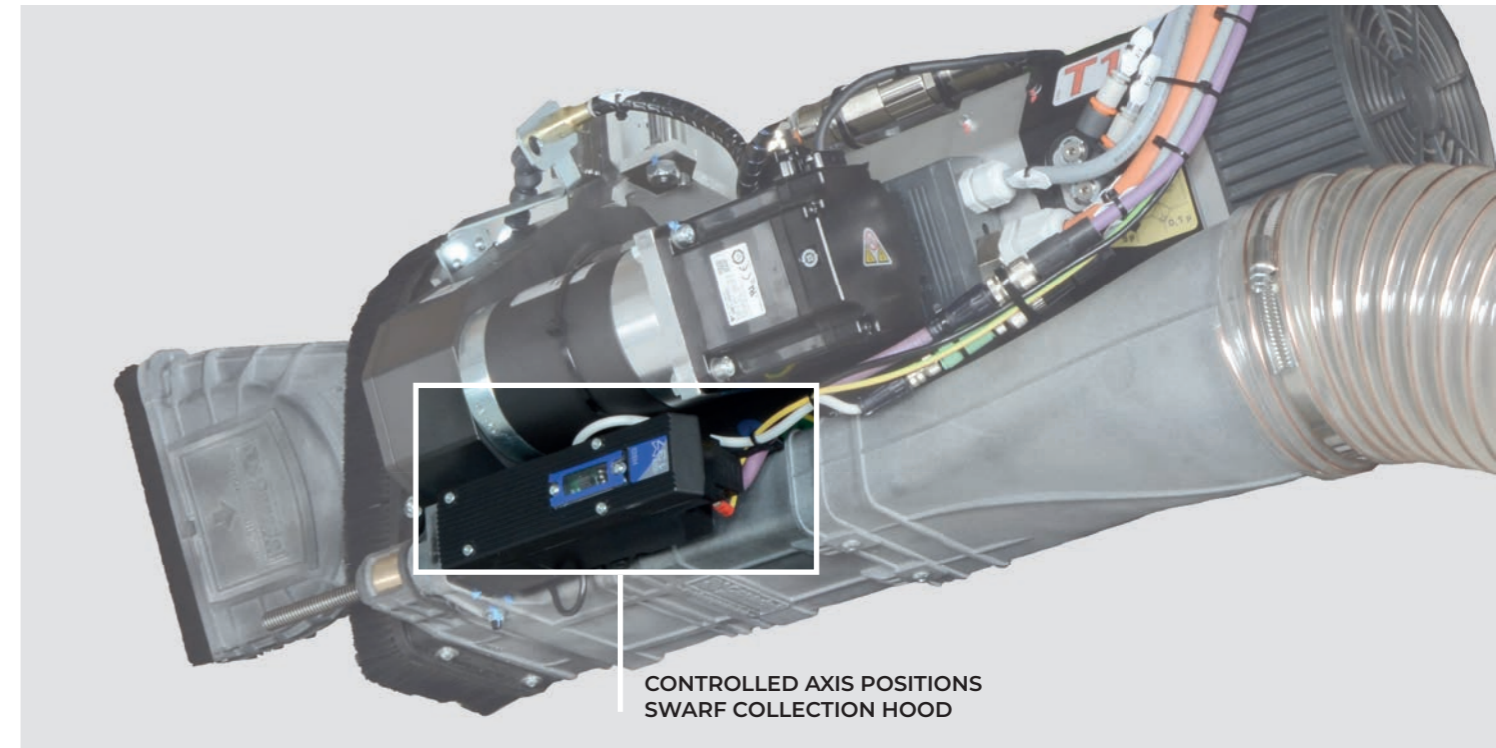
ACR

- Fourth positioning Axis 0-360° to cut in any direction with aggregates

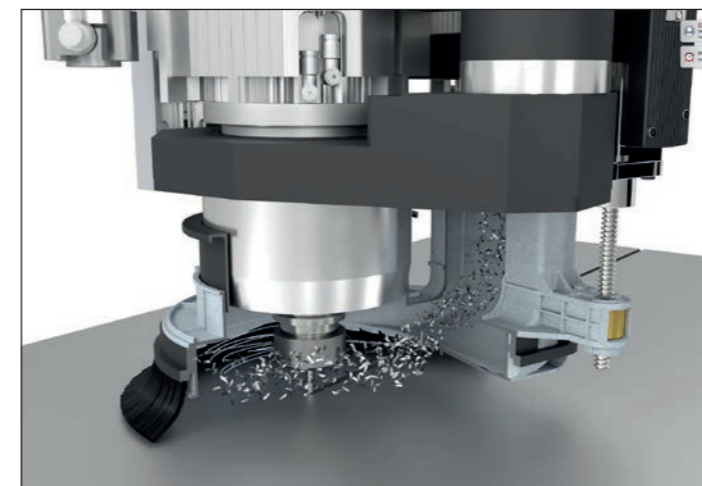
SAFE AND CLEAN

Double dust collection (flute tool - aggregate)

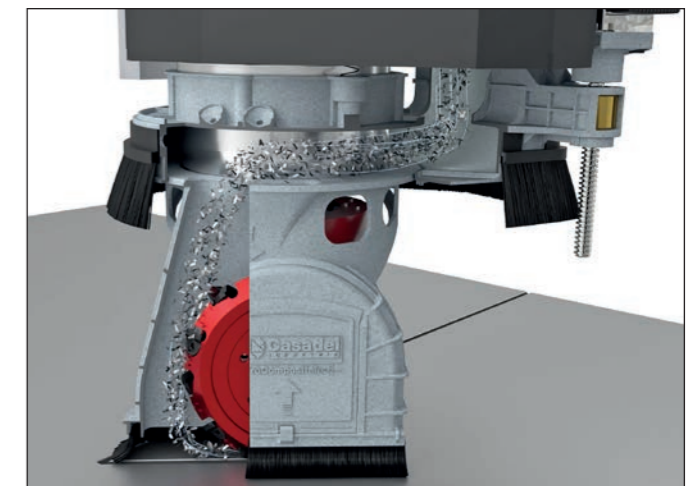
- Swarf collection for flute tool routing
- Numerical Control axis positions swarf collection main hood
- Swarf collection whatever the direction of the aggregate



Swarf collection hood with multiple positioning during processing (PATENTED)

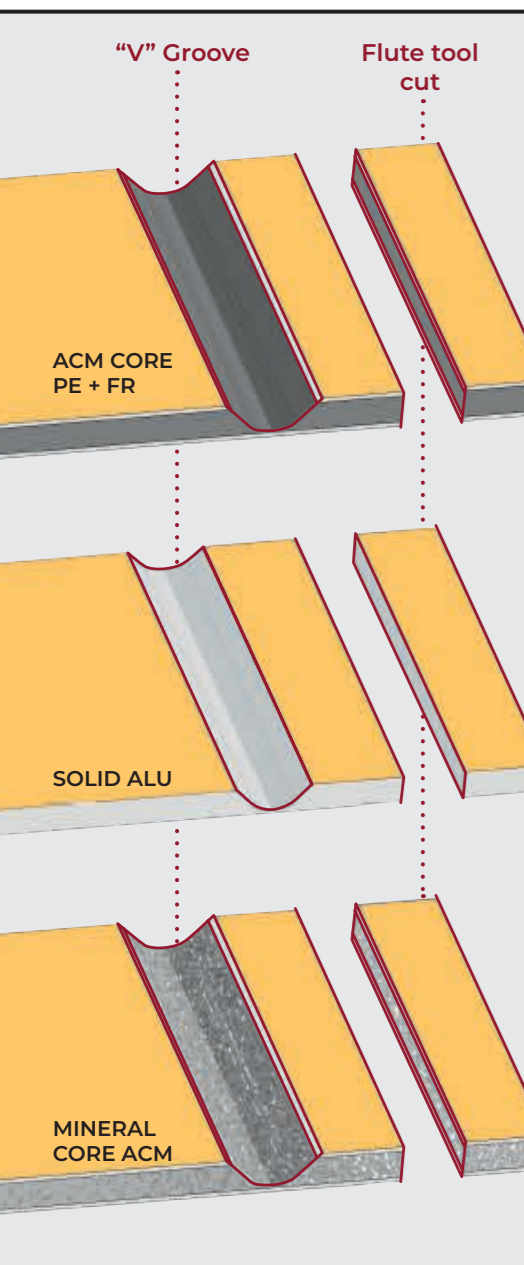


PROCESSING WITH FLUTE TOOL



PROCESSING WITH AGGREGATES

Material



Flute tool



WITH SUPERIOR COATING BY CROWN NORGE

Processing speed*:

up to ca. **16 mt/1' - 630 IPM** (PE + FR)
up to ca. **5 mt/1' - 197 IPM** (Solid Alu)



Processing speed*:

up to ca. **16 mt/1' - 630 IPM** (ACM Mineral Core)

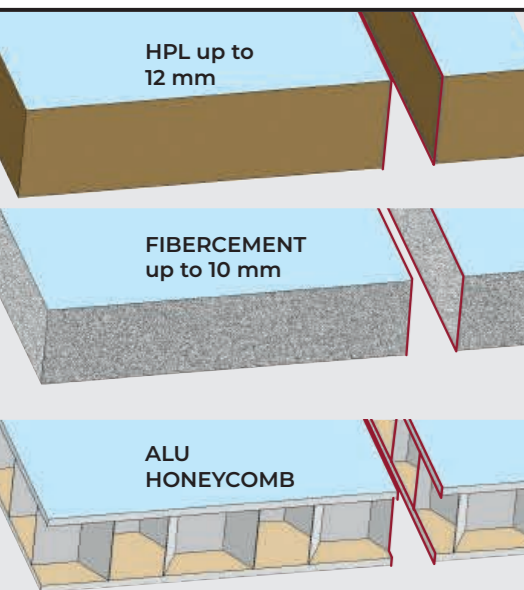
VGroove



AGGREGATE VGGROOVE _ Ø 125 mm WHISPERCUT® Diamond tips

Processing speed*:

up to ca. **30 mt/1' - 1181 IPM** (PE + FR core)
up to ca. **8 mt/1' - 315 IPM** (Solid Alu)
up to ca. **12 mt/1' - 470 IPM** (ACM Mineral Core)



Processing speed*:

up to ca. **6 mt/1' - 236 IPM**

Processing speed*:

up to ca. **6 mt/1' - 236 IPM**

Processing speed*:

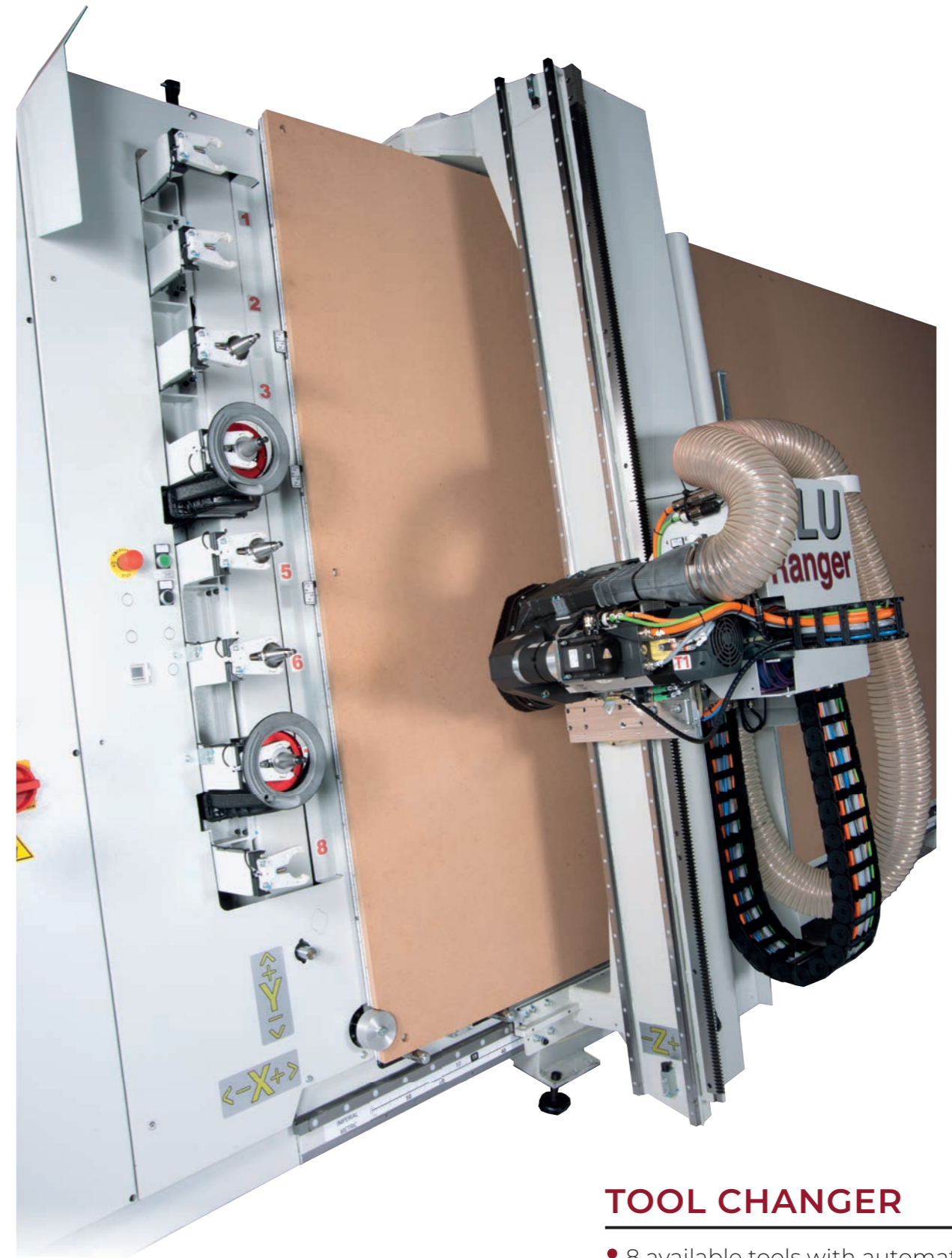
up to ca. **10 mt/1' - 393 IPM**



Ø 8 mm DIAMOND

IPM= INCHES PER MINUTE

VERSATILE AND FAST



TOOL CHANGER

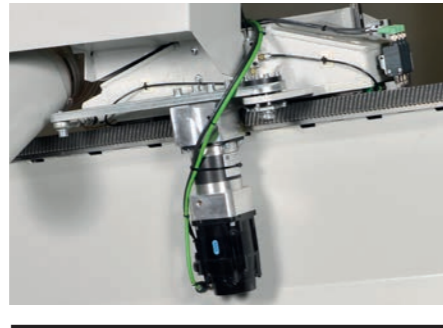
- 8 available tools with automatic change
- Cone presence sensor

* Indicative speeds for an optimal quality/duration ratio

VERTICAL STRUCTURE



- Table flatness is guaranteed by machining the frame vertically
- The robust vertical design absorbs more vibration which results in less chatter marks during processing that will extend tool life
- Operator's safety is increased by side protection barriers and a safety light curtain

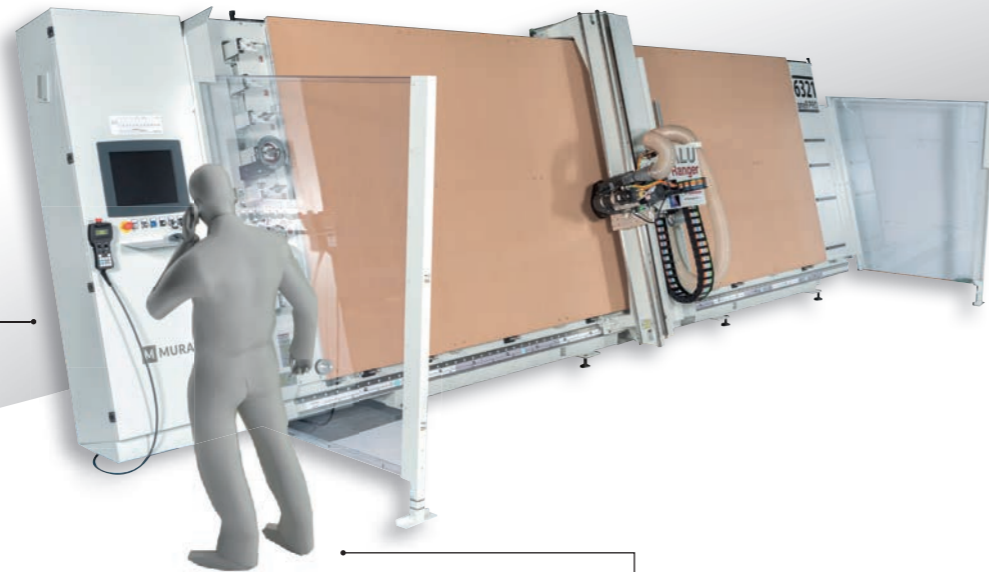


Top gantry motor



Electrical cabinet and control panel integrated into the vertical frame

- CE compliant
- Main components Made in Germany and Japan
- Perfectly accessible and free from electromagnetic disturbances



Ergonomic access to the work table

- Optimal control of the whole process
- Total view of the machine
- High level of safety for the operator



Hand-held remote control (Opt)

- 4 lines and 16 characters
- Axis manual control "JOG"
- Speed control "Override"



Automatic presetter for tool length

- Fully automatic
- Measurement tolerance $\pm 0.02 \text{ mm} \pm 0.0007 \text{ In}$



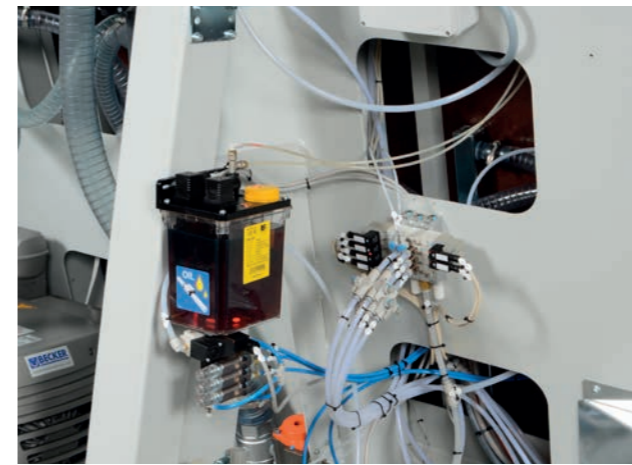
Industrial numerical control

- Up to 7 axis controlled (X,Y,Z interpolating)
- 17" LCD colour monitor
- Ethernet connection, USB, mouse

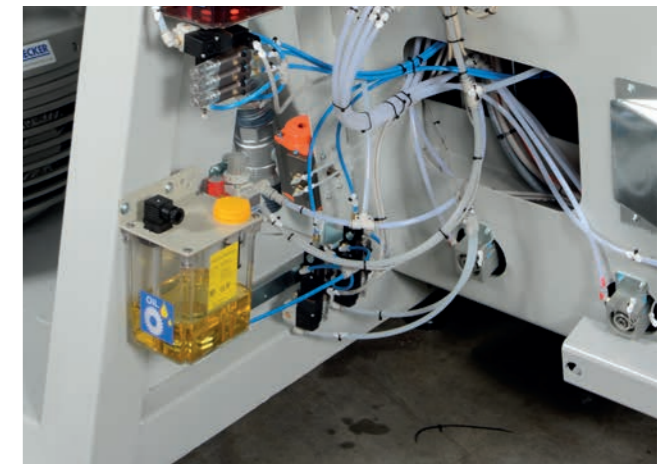


Origin pop-up stops

- Bearing for easy panel sliding
- Pneumatic control with safety sensor connected to PLC



Automatic lubrication for linear guides



Automatic lubrication for tools

PROGRAMMING WITH CAD/CAM SOFTWARE

DXF drawings

Possibility of **creating, modifying and implementing**

IMPORT OF DXF FILES

from Autocad® or other CAD programs

ESPORTAZIONE FILE CAM

to Vertical Machining Centre

AUTOMATIC TOOL ASSIGNMENT

from DXF layer import

INTEGRATED MANAGEMENT

of tools available

NESTING OPTION

for optimizing processing operations

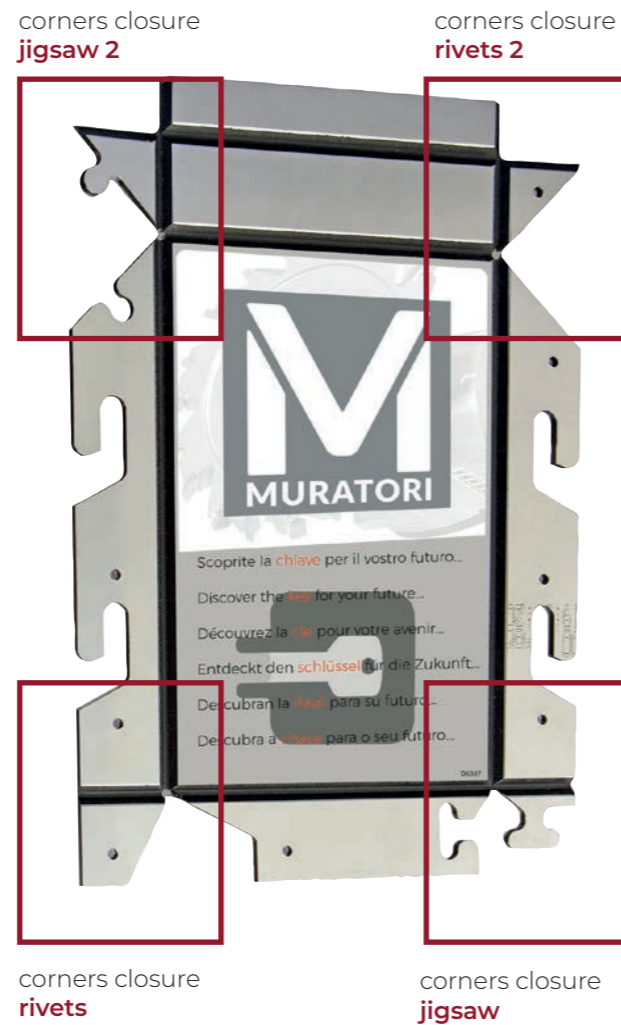
ADVANCED NESTING OPTION

for maximum reduction waste

MODULE

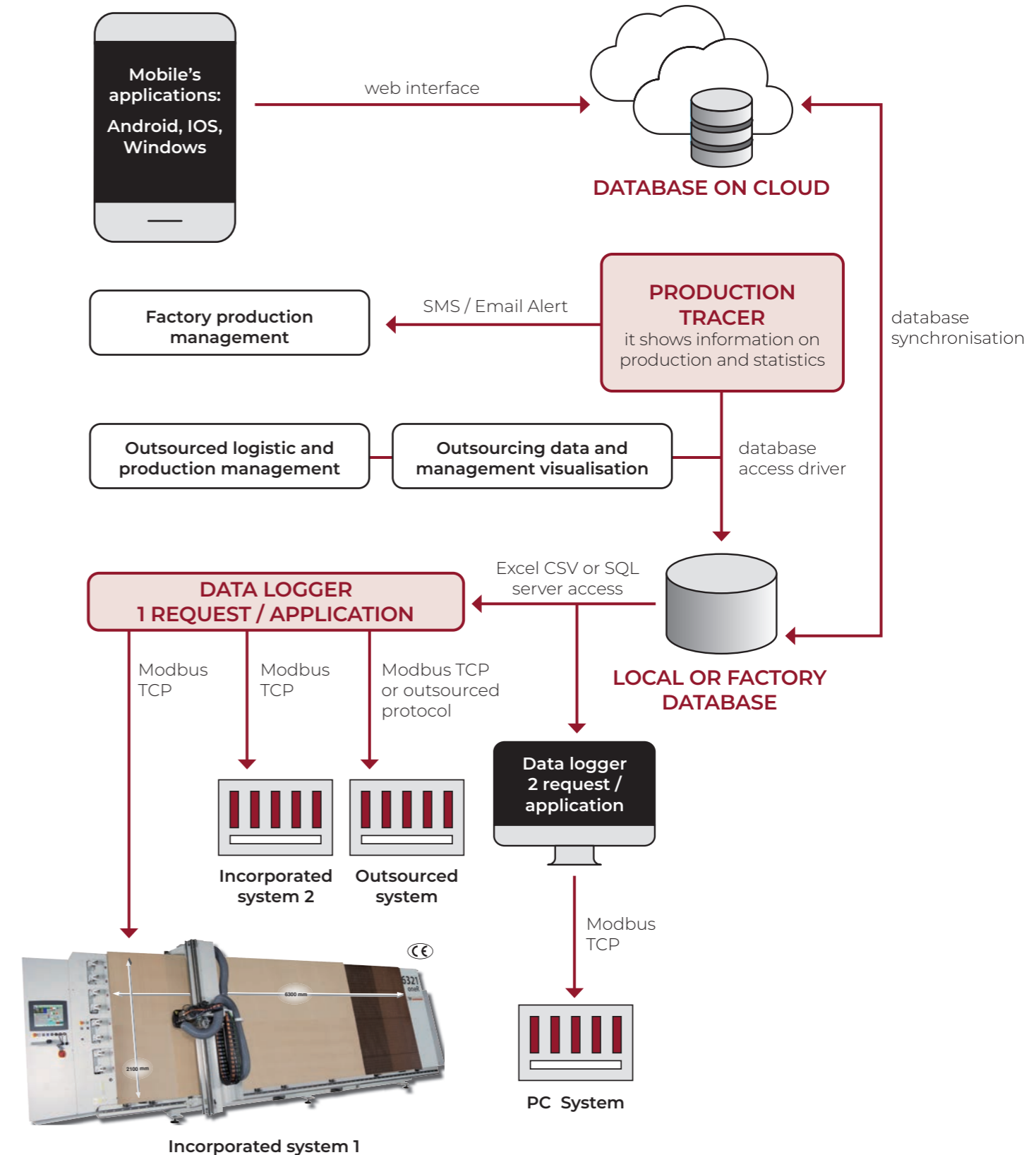
to calculate project costs

- cost of panels used for the façade
- cost for processing time
- operator's cost for cassette folding time
- cost of rivet and operator's cost for riveting
- assignment of any other cost regarding panel processing
- forecast for necessary panels for the job and for the processing time



SMART FACTORY_4.0

- Collaboration between operator, machine and devices
- System's integration

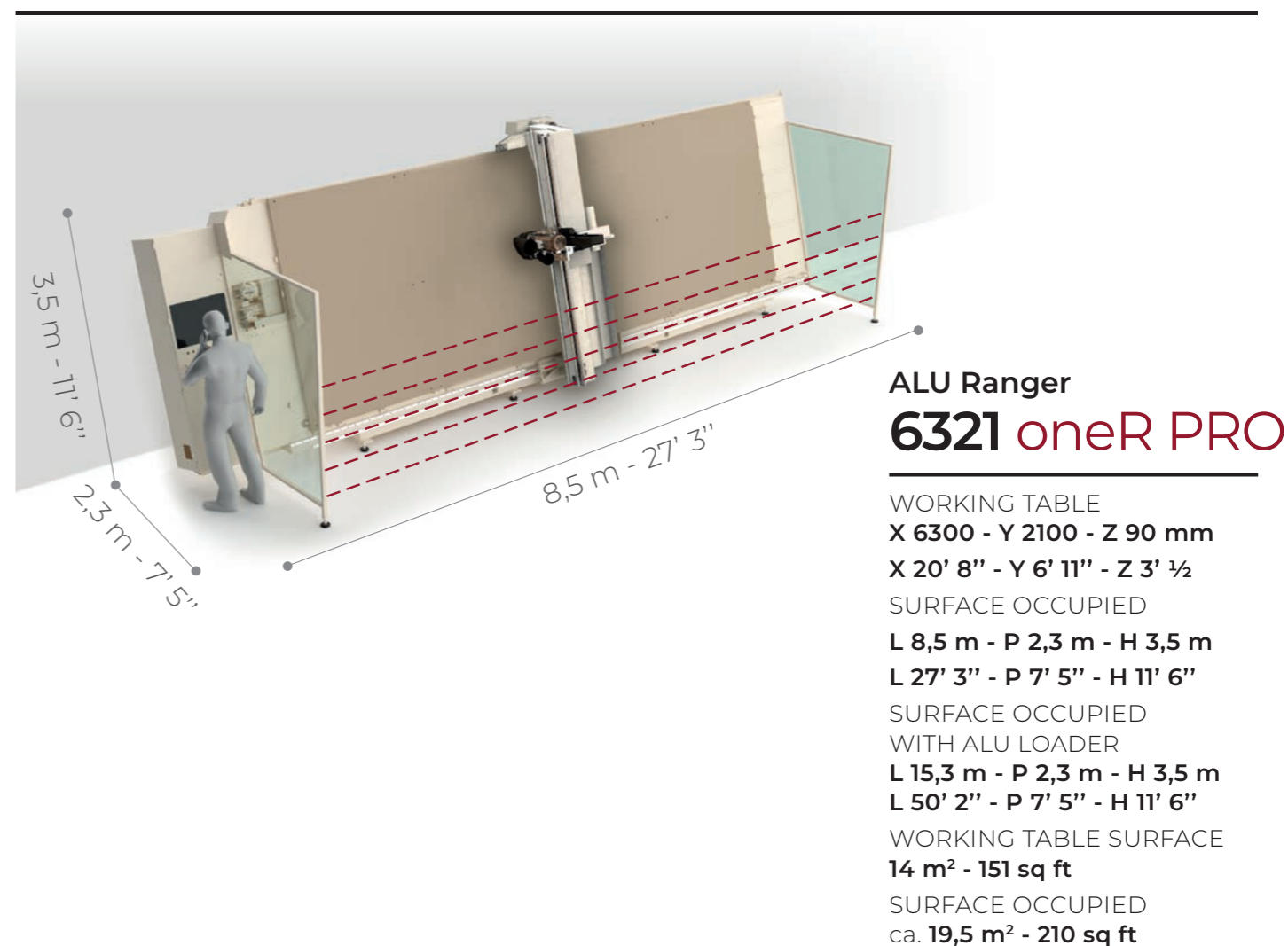
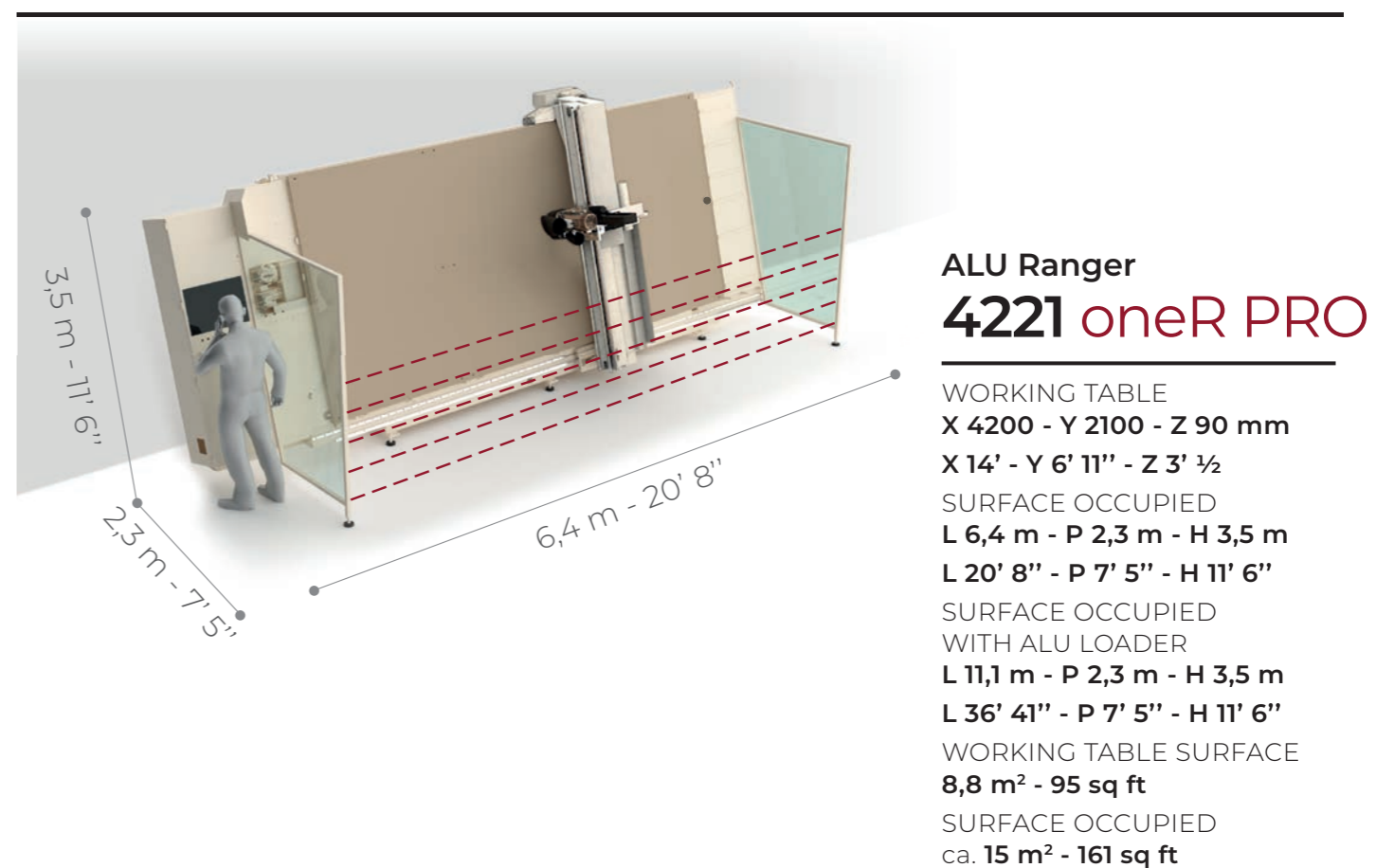


DIMENSIONS

Technical features

	ALU Ranger oneR PRO 4221	ALU Ranger oneR PRO 6321
Working table (mm)	X 4200 - Y 2100 - Z 90	X 6300 - Y 2100 - Z 90
Working table (imperial)	X 14' - Y 6' 11" - Z 3' ½	X 20' 8" - Y 6' 11" - Z 3' ½
Panel holding, vacuum by working table with MDF sacrificial board (selection by PLC)	6 zones AUTO	8 zones AUTO
Panel holding vacuum by zones combinations	24	32
Vacuum pump	1 x 250 m ³ /h 1 x 147 Cfm	2 x 250 m ³ /h 2 x 147 Cfm
Axis speed (Rapid)	X 30 - Y 30 - Z 10 mt/min X 1181 - Y 1181 - 394 IPM	
Electrospindle R8A	8 Kw - collet ER32 up to 24000 g/min	
Automatic tool changer - working table side	8 positions - cones ISO30 - cone sensor	
Total power	min 14 KW – max 24 KW	min 19 KW – max 29 KW
Max weight of panel under process	ca. 250 Kg ca. 550 Lb	ca. 350 Kg ca. 772 Lb
Total weight	ca. 2700 Kg ca. 5952 Lb	ca. 3600 Kg ca. 7930 Lb

We reserve the right to make modifications. The machine can include equipment not shown in standard version.
For photographic reasons some units are without protections. The use of machine must be made with all protections installed.



MURATORI MACHINES



For three generations the Muratori family have been manufacturing machines for the wood processing industry, while evolving and diversifying its production to include machines for processing aluminium panels and composite materials. Suitable for architectural façade cladding, the transport industry, interior design and sign-making sectors.

Antonio Muratori received his training at and became an expert in the family business, where, thanks to almost three decades of experience, he has conceived, designed, and built the technology for automated handling and processing of composite panels.



About us

Muratori Machines was established and followed in the footsteps of the tradition and know-how acquired by Casadei Industria ALU. It now has a robust industrial organisation where, under the guidance of Antonio Muratori, its technologies, machines and CNC for the processing of ACM, solid aluminium, aluminium honeycomb, HPL and fibre cement panels are designed and built. Professionalism, expertise and with an open mind making it possible to meet the needs of customers. Introducing automation to the world of composite panel processing, while responding to production requirements. Totally committed the team at Muratori Machines focuses on innovation and quality with a view to finding ground-breaking solutions and revolutionising design and manufacturing models.

CNC machining innovation incorporating a Vertical Table

The innovation factor finds full expression in the vertical positioning of the working table. Thanks to automated panel loading, positioning and offloading systems, the integrated work cell achieves exceptional productivity levels.



The advantages of a vertical system assure tangible results

- Reduced space requirements
- Quality assurance during processing
- Enhanced ergonomics and safety
- Single operator for process control



VISION

We aim to break the status quo and revolutionise traditional design and manufacturing methods, with a view to maximising ergonomics, operability, and ease of use.

MISSION

We facilitate traditional production cycles for our customers. Using innovative technology within everyone's reach automating processes, involving composite material processing.



THANK YOU



On behalf of our employees and partners around the world, thank you for your interest in Muratori Machines.

Since the first ACM panel routed in 2006 we have one mission: to create and provide the best composite material panel handling and fabricating experience possible.

Muratori Machines have invested for the long term, consistently dedicating resources to researching and developing innovative panel routers, handling technologies and services that provide value to our customers.

This approach has culminated in our range: the Alu Ranger, Alu Loader, Double Loader, Off Loader, Alu Folder, Alu Bender, Alu Doubler.

In short, we have revolutionized the concept of panel routing and with it, the business of the panel fabricating industry.

Thank you again for your interest in exploring Muratori Machines.

We are ready to improve your business.

Sincerely,
Antonio Muratori
CEO
Muratori Machines



The Vertical Revolution for composite panels

muratorimachines.com